

OVAL+ US 1XS130/125/230 FLAT

Item no. 313862

Document type: **Product card**

Document date: **2018-12-23**

Generated by: **Systemair Online Catalogue**

Description

Diverter valve, made of plastic, with connections useable to connect OVAL+ ducts with supply air valves and exhaust air valves.

Connector, made of plastic, length 230 mm.

Corpus is antistatic and antibacterial.

Normally flammable material class E, DIN EN 13501-1.

Tightness class D according to DIN EN 12237.

Connections: 1x OVAL+ S 130 and 1x DN 125.

Sealing ring included in delivery.



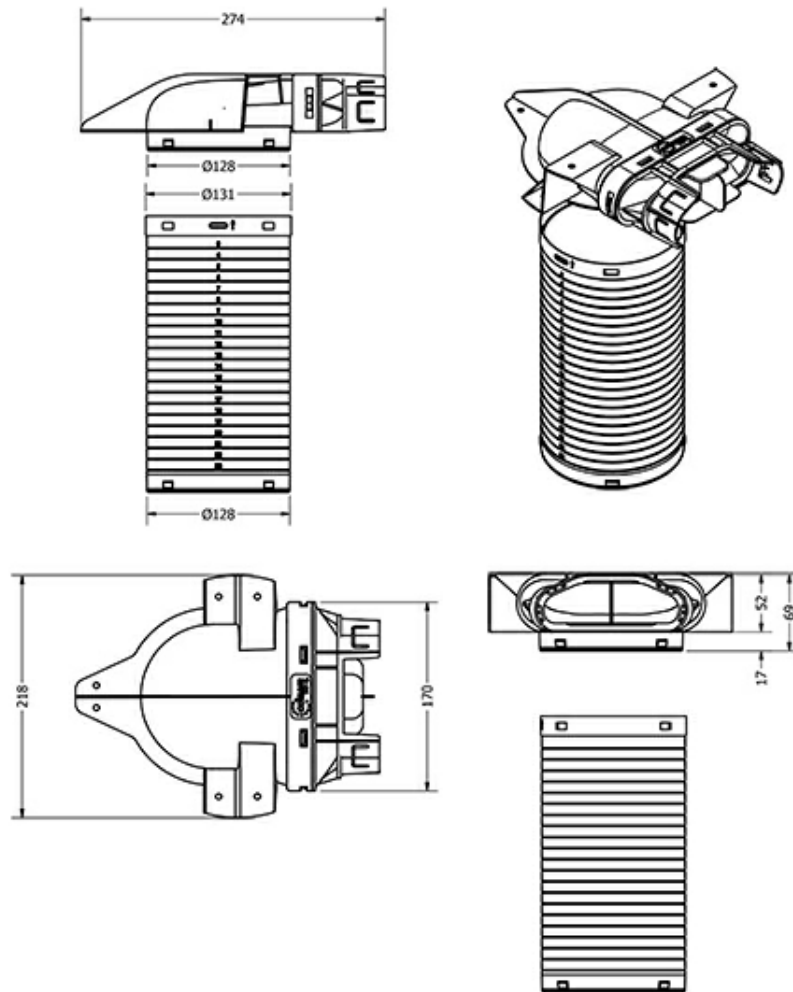
Technical parameters

Other

Weight


. kg

Dimensions



Accessories

Documentation

 [Technical Data Sheet Oval+.pdf \(657,78kB\)](#)